

Audio Setup Guide

Dear Customers,

Thank you for choosing HDKaraoke, the smartest karaoke solution. To optimize your karaoke experiences with HDK Box, we strongly recommend you to read through this guide and setup your audio system as instructed.

You can also check out our tutorial videos at:

<http://hdkaraoke.com/en/product/operation/>

This guide will discuss various scenarios depending on the different combinations of devices in use. Please find the scenario that applies to your case.

Should you have any questions, please feel free to contact us:

Phone: +1 (877) 435-8966

Email: info@hdkaraoke.com

Livechat: <http://www.hdkaraoke.com>

Enjoy your ultimate karaoke experience with HDKaraoke.

Yours in Service,

HDKaraoke Team





General Connections:

1. Power cord
2. Ethernet cable or Wi-Fi adapter
3. Microphone: always plug in the microphones directly to the HDK Box microphone jacks. HDK Box is only compatible with 1/4" TS(MONO) microphone cables.

Note:

Please understand that the scenarios discussed below are not exhaustive. If they do not apply, don't hesitate to contact us for help. Our representatives are ready to assist.

If you have your own devices, you might need the following cables to complete the setup:

<p>1. HDMI Cable</p>	
<p>2. Component Cable or Color Cable or Red, Green, Blue Cable</p>	
<p>3. RCA Cable or Audio Cable or Red and White Cable</p>	
<p>4. Speaker Cable</p>	

(Exhibit 1 – Cable Chart)

Scenario I – TV as Audio Output

Audio output	Video output	Cables needed
TV	TV	Component and RCA

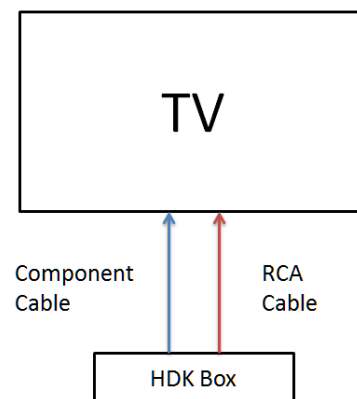
Instruction:

1. This is the simplest combination, in which the TV is the sole device for both audio and video outputs. Users only need to connect the HDK Box to the TV through **COMPONENT** cable and **RCA** cable.
2. Once the cables are connected, turn on the HDK Box, and use the HDK Box remote control to select “Settings” – “System” – “Video Output” – “YPbPr” – “1080i” to set the video to HD quality.



Note:

Although we provide HDMI cable in the package, it is not the best selection of cable if you only have the TV as the audio output. As microphones generate analog signals while HDMI cables transmit only digital signals, it takes time to convert the signals from analog to digital, causing a slight delay in the sound from microphone. A component cable would simply fix this problem. Connection map shown as the picture on the right.



(Exhibit 2 – Setup for HDK Box and TV only)

Scenario II – TV and Sound Bar System

Audio output	Video output	Cables needed
Sound Bar	TV	Component and RCA

Instruction:

If you have a sound bar speaker that is already connected to your TV, the setup will be the same as the Scenario I:

1. Use COMPONENT and RCA cables to connect your TV and HDK Box.
2. Setup the HDK Box's video output to "YPbPr" – "1080i"; you can check the previous scenario for detail.

Note:

If the sound bar system is connected to the TV, it is acting as an enhanced speaker, replacing the TV's speakers' role. Therefore, we can treat it the same way as TV's speakers.

Scenario III – Home Theater as Audio Output

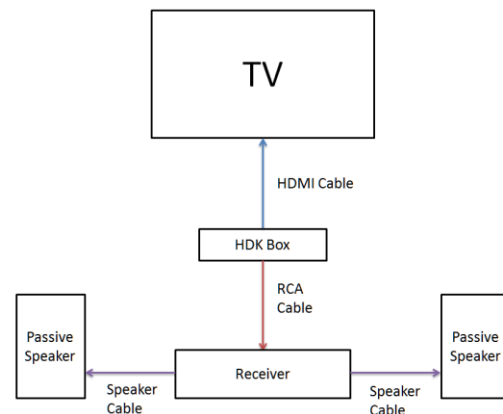
Audio output	Video output	Cables needed
Home Theater System	TV	HDMI/Component and RCA

Instruction:

There are TWO ways to connect if you have a home theater system with a receiver. You can choose either one that works for you.

Method #1: (Recommended)

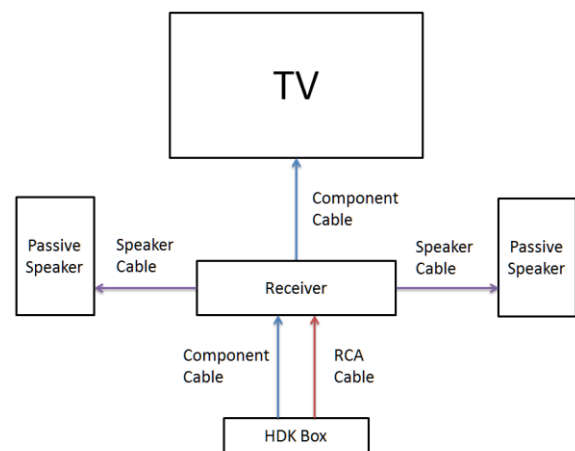
1. Video: Connect the HDK Box to the TV through HDMI cable, and mute the TV. Set the TV channel to HDMI input.
2. Audio: Connect the HDK Box to the home theater receiver using an RCA cable. Make sure to connect the RCA cable to the audio input and change the receiver's channel to the one hooked with HDK Box. See Exhibit 3 on the right for connection map.



(Exhibit 3 –Home Theater System #1)

Method #2:

1. Connect the HDK Box to the Receiver through COMPONENT cable, and RCA cable to the receiver's input.
2. Then use another COMPONENT cable to connect the receiver's output and TV.
3. Once the cables are connected, turn on the HDK Box, and use the HDK Box remote control to select "Settings" – "System" – "Video Output" – "YPbPr" – "1080i" to set the video to HD quality.



(Exhibit 4 –Home Theater System #2)

Note:

Home theater receivers usually have complex structures and multiple inputs. Please make sure the receiver is set to the correct channel that complies with the source of the audio signal. The connection between the receiver and the speakers might vary depending on the model of the home theater system.

Scenario IV – Professional Karaoke Sound System as Audio Output

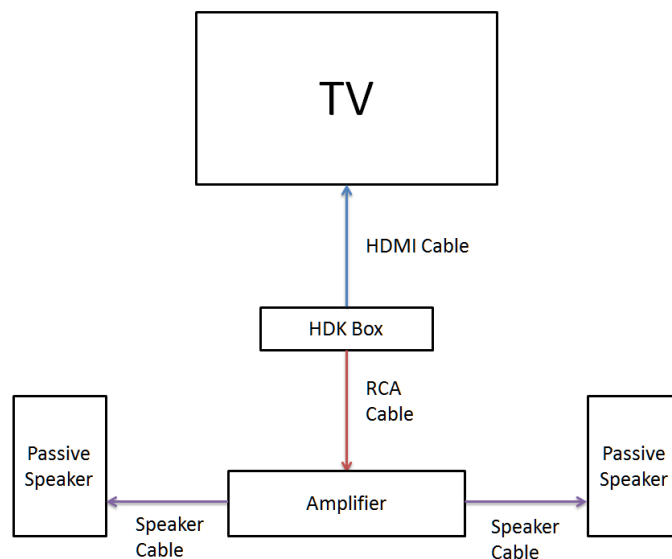
Audio output	Video output	Cables needed
Amplifier & Speakers	TV	HDMI and RCA

Instruction:

1. Video: Connect the HDK Box to the TV through HDMI cable, and mute the TV.
2. Audio (Amplifier + Speakers): Connect the HDK Box to the amplifier through RCA cable, and then connect the amplifier to the speaker using the speaker cable. Make sure to connect the RCA cable to the audio input and change the amplifier's channel to the one hooked with HDK Box. See Exhibit 5 below for connection map.

Note:

In this case, TV and speaker play different roles, in that the TVs are responsible for video output only while amplifiers and speakers are the audio output.



(Exhibit 5 – Setup for Professional Karaoke Sound System)